

INSK16N12T2T

16 Channel 2TB 4K NVR Bundle
with 12 x 4.1MP TURRETS



Camera Features

- 4MP, 1/3" CMOS image sensor, low illuminance
- Outputs max. 4MP (2688 × 1520) at 30 fps
- H.265 codec, high compression rate, ultra-low bit rate
- Built-in IR LED, max IR distance: 30 m
- Abnormality detection includes motion detection, video tampering, network disconnection, etc.

NVR Features

- H.265+/H.265 dual-stream video compression
- Supports adaptive decoding
- Max. decoding capability: 6 × 1080p at 30 fps.
- AI per Camera: Area Protector, Smart Motion Detection

*Design and specifications are subjects to change without notice.



INSK16N12T2T

Cameras: INSTO4IRF

4MP Entry IR Fixed-focal TURRET Network Camera

Product Specifications

| Camera | | | | | |
|--------------------------|---|----------------------|---------------------|---------------------|--------------------|
| Image Sensor | 1/3" 4Megapixel progressive CMOS | | | | |
| Effective Pixels | 2688 (H) ×1520 (V) | | | | |
| RAM/ROM | 16MB/64MB | | | | |
| Scanning System | Progressive | | | | |
| Electronic Shutter Speed | Auto/Manual 1/3 s–1/100,000 s | | | | |
| Minimum Illumination | 0.03 Lux at F2.0 (Color, 30IRE); 0.003 Lux at F2.0 (B/W, 30IRE) 0 Lux (Illuminator on) | | | | |
| S/N Ratio | More than 56 dB | | | | |
| IR Distance | 30 m (98.43 ft) | | | | |
| IR LEDs | 1 | | | | |
| Camera Features | | | | | |
| Day/Night | Auto(ICR) / Color / B/W | | | | |
| Backlight Compensation | BLC / HLC / DWDR | | | | |
| White Balance | Auto / natural / street lamp / outdoor / manual / regional custom | | | | |
| Gain Control | Auto/Manual | | | | |
| Noise Reduction | 3D DNR | | | | |
| Motion Detection | OFF/ON (4 areas, rectangular) | | | | |
| Region of Interest | Yes (4 areas) | | | | |
| Image Rotation | 0°/180° (0° by default) | | | | |
| Smart Illumination | Yes | | | | |
| Privacy Masking | 4 Areas | | | | |
| Mirror | Yes | | | | |
| Lens | | | | | |
| Lens Type | Fixed-flocal | | | | |
| Mount Type | M12 | | | | |
| Focal Length | 2.8 mm | | | | |
| Max. Aperture | F2.0 | | | | |
| Viewing Angle | Horizontal: 90°; Vertical: 50°; Diagonal: 107° | | | | |
| Pan/Tilt/Rotation | Pan: 0°–355°; Tilt: 0°–78°; Rotation: 0°–355° | | | | |
| DORI Distance | Lens | Detect | Observe | Recognize | Identify |
| | 2.8mm | 68.0 m (223.1 ft) | 27.2 m (89.2 ft) | 13.6 m (44.6 ft) | 6.8 m (22.3 ft) |
| Video | | | | | |
| Compression | H.265+; H.264+; MJPEG (only supported on the sub stream) | | | | |
| Resolution | 4M (2688 × 1520); 3M (2304 × 1296); 1080p (1920 × 1080); 1.3M (1280 × 960); 720p (1280 × 720); D1 (704 × 576/704 × 480); VGA (640 × 480); CIF (352 × 288/352 × 240) | | | | |
| Frame Rate | Main Stream: 2688 × 1520 at 1 to 25/30 fps | | | | |
| | Sub stream: 704 × 576 (1 fps to 25 fps); 704 × 480 (1 fps to 30 fps) | | | | |
| Bit Rate | H.264: 32 Kbps–4096 Kbps H.265: 12 Kbps–4096 Kbps | | | | |

*Design and specifications are subjects to change without notice.



INSK16N12T2T

Cameras: INSTO4IRF

4MP Entry IR Fixed-focal TURRET Network Camera

Product Specifications

| Certifications | |
|---------------------|--|
| Certifications | CE-LVD: EN 62368-1; CE-EMC: Electromagnetic Compatibility Directive 2014/30/EU; FCC: 47 CFR FCC Part 15, Subpart B |
| Alarm | |
| Alarm Event | IP conflict; illegal access; motion detection; video tampering; security exception; network disconnection |
| Security | |
| Cyber Security | Digest; Security logs; HTTPS; Trusted upgrade; WSSE; Trusted boot; Account lockout; Generation and importing of X.509 certification; Video encryption; Configuration encryption; Trusted execution |
| Network | |
| Ethernet | RJ-45 (10/100 Base-T) |
| SDK & API | Yes |
| Storage | FTP |
| Management Software | STORM, STORM+, ARKIV |
| Protocol | IPv4; IPv6; HTTP; TCP; UDP; ARP; RTP; RTSP; RTCP; SMTP; FTP; DHCP; DNS; DDNS; NTP; Multicast |
| Compatibility | ONVIF (Profile S/Profile T); CGI; P2P |
| Maximum User Access | 6 |
| Smart Phone | iOS, Android |
| Browser | Chrome; Firefox; Internet Explorer |
| General | |
| Power Supply | 12V DC/PoE (802.3af) |
| Power Consumption | Less than 4.7W |
| Working Environment | -40°C to +60°C (-40°F to +140°F); Less than 95% RH |
| Protection | IP67 |
| Material | Metal |
| Dimensions | 85.6 mm × Ø94.0 mm (3.37" × Ø3.70") |
| Weight | 0.71 lbs (0.32 kg) |

*Design and specifications are subjects to change without notice.

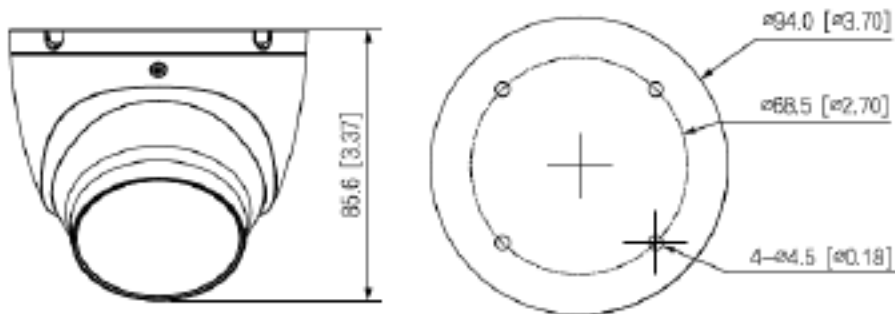


INSK16N12T2T

Cameras: INSTO4IRF

4MP Entry IR Fixed-focal TURRET Network Camera

Product Specifications



INSX13AE
Junction Box



INSX205W
Wall Mount





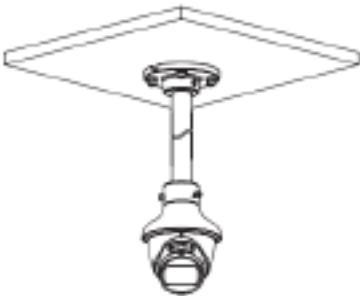

INSX152
Pole Mount



INSX220C
Ceiling Mount



INSX106
Mount Adapter

| Junction Mount | Wall Mount |
|--|---|
| INSX13AE | INSX205W |
|  |  |
| Ceiling Mount | Pole Mount |
| INSX220C + INSX106 | INSX205W + INSX152 |
|  |  |

*Design and specifications are subjects to change without notice.



INSK16N12T2T

NVR: INS16161N

16 Channel Compact 1U NVR

Product Specifications

| System | |
|---------------------------|--|
| Main Processor | Industrial embedded micro-processor |
| Operating System | Embedded LINUX |
| Operation Interface | Web; local GUI |
| Area Protector | |
| Performance | 4 channels |
| Smart Motion Detection | |
| Performance | 4 channels; Secondary filtering for human and motor vehicle SMD Plus, reducing false alarms caused by leaves, rain and lighting condition change |
| Video and Audio | |
| Channels | 16 Channels |
| Network Bandwidth | Access: 80 Mbps; Storage: 80 Mbps; Forward: 60 Mbps |
| Resolution | 12MP, 8MP, 6MP, 5MP, 4MP, 3MP, 2MP, 720p, D1 |
| Decoding Capability | 1-channel 12MP at 30 fps; 1-channel 8MP at 30 fps; 2-channel 5MP at 30 fps; 3-channel 4MP at 30 fps; 6-channel 1080p at 30 fps |
| Video Output | 1 × VGA, 1 × HDMI (simultaneous) |
| Multi-screen Display | 1 / 4 / 8 / 9 / 16 |
| Third Party Camera Access | ONVIF |
| Compression | |
| Video | H.265+; H.264+; H.265; H.264; MJPEG |
| Audio | PCM; G.711A; G.711U; G.726 |
| Network | |
| Network Protocol | HTTP; HTTPS; TCP/IP; IPv4/IPv6; UPnP; SNMP; RTSP; UDP; SMTP; NTP; DHCP; DNS; IP Filter; PPPoE; DDNS; FTP; Alarm Server; IP Search (Supports STORM IP cameras, DVR, NVR, and more.) ; P2P |
| Mobile Phone Access | Android; iOS |
| Interoperability | ONVIF (profile T/S/G); CGI; SDK |

*Design and specifications are subjects to change without notice.



INSK16N12T2T

NVR: INS16161N

16 Channel Compact 1U NVR

Product Specifications

| Recording | |
|------------------------|---|
| Multi-channel Playback | Up to 16 channels |
| Record Mode | Manual record; alarm record; motion detection record; schedule record |
| Storage Method | Local HDD and Network |
| Backup | USB device |
| Playback Function | 1. Play; pause; stop; fast forward; fast backward; rewind; play by frame 2. Full screen; backup (video clip/file); partially zoom in; audio on/off |
| Alarm | |
| General Alarm | Motion detection; privacy masking; video loss; PIR alarm |
| Anomaly Alarm | Camera offline; storage error; disk full; IP conflict; MAC conflict; login lock; cyber security exception |
| Smart Alarm | Area Protector; Smart Motion Detection |
| Alarm Linkage | Recording; snapshot; buzzer; log; preset; email; tour |
| Rear Panel | |
| Audio Input | 1 channel |
| Audio Output | 1 channel |
| HDD | 1 SATA ports, up to 16 TB for a single HDD. The maximum HDD capacity varies with environment temperature |
| USB | 1 front USB 2.0 port; 1 rear USB 2.0 port |
| Network | 1 × RJ-45, 10/100 Mbps self-adaptive Ethernet port |
| General | |
| Power Supply | 12 VDC, 1.5 A |
| Power Consumption | Total output of NVR is ≤ 10 W (without HDD) |
| Weight | 1.79 lbs (0.81kg) |
| Dimensions | 260 mm × 232.7 mm × 47.6 mm (10.24" × 9.16" × 1.87") |
| Operating Temperature | -10°C to +55°C (+14°F to +131°F); 10%–93% (RH) |
| Installation | Rack or Desktop |

*Design and specifications are subjects to change without notice.

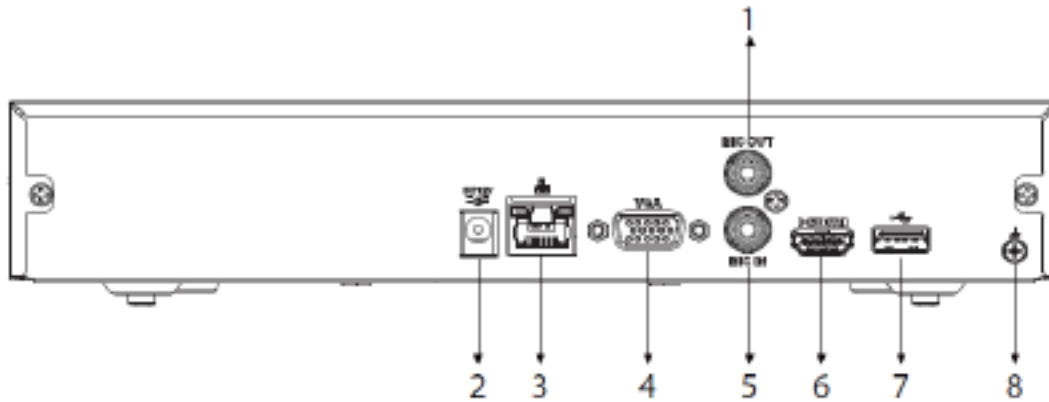


INSK16N12T2T

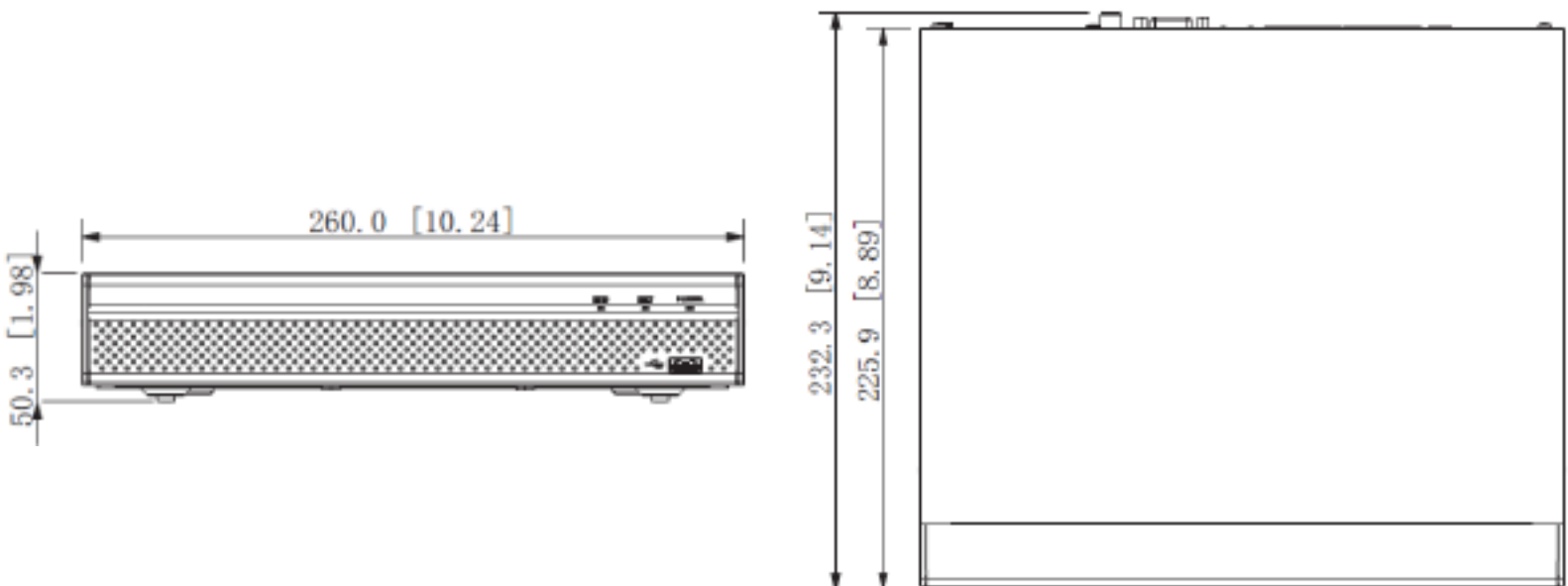
NVR: INS16161N

16 Channel Compact 1U NVR

Product Specifications



- | | | | |
|---|--------------------------|---|-------------|
| 1 | AUDIO OUT, RCA Connector | 2 | Power Input |
| 3 | Network Port | 4 | VGA Port |
| 5 | AUDIO IN, RCA Connector | 6 | HDMI Port |
| 7 | USB Port | 8 | Ground |



*Design and specifications are subjects to change without notice.

